

VENTILATION HANDY REFERENCE SHEET

STEP ONE—Determine Ventilation Requirements

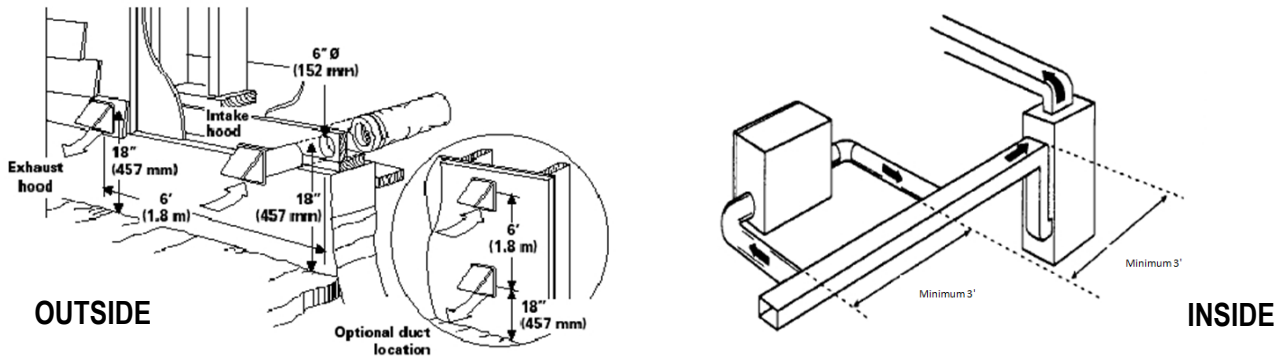
CAN/CSA F326 Total Ventilation Capacity Requirements (TVC)			
Master Bedroom	_____	x 21.2 CFM	= _____
Other Bedrooms	_____	x 10.6 CFM	= _____
Other Rooms	_____	x 10.6 CFM	= _____
Unfin. Basement	_____	x 21.2 CFM	= _____
TOTAL			= _____

Supplemental Exhaust Capacity L/s (CFM)	
Kitchen	50 (106)
Bathrooms	25 (53)

STEP TWO—Choose a Unit

Select Airflow from HVI Listing at 0.4 w.c. (100Pa) → 0.5 w.c. (125Pa)

STEP THREE—Location of Units



STEP FOUR—Duct Sizing and Installation

- Use as few fittings as possible and use “smooth” fittings
- Seal all joints with mastic or foil tape
- For long runs or if there are lots of fittings, increase size of duct
- Avoid running ducts through unheated areas
- Support the ducts properly and use 3 screws at every join

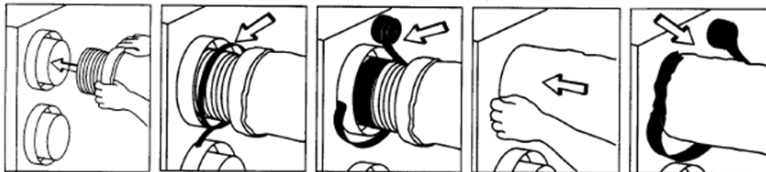
Suggested Duct Sizes

Maximum Air Flow (CFM)	Duct Diameter
40	4"
80	5"
150	6"
200	7"
250	8"

STEP FIVE—Flexible Duct Connection Installation

Insulated Flexible Duct

- Keep it short
- Seal it well
- Straight
- Smooth



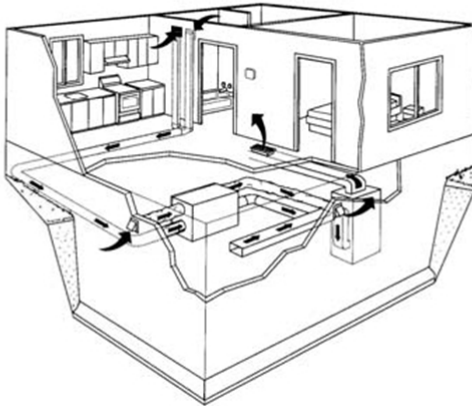
Insulated Flexible Duct

- Both the inside duct and outside vapour barrier must be well air sealed

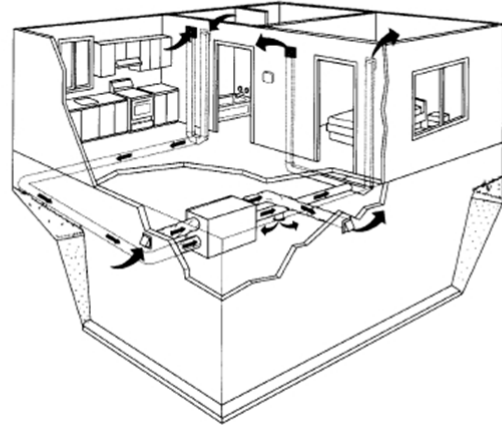
VENTILATION HANDY REFERENCE SHEET

STEP SIX—HRV Installation

Ducting Alternatives



Fresh air into furnace return, Exhaust ducted from bathrooms and kitchen



Fully Ducted System (Fresh Air to bedrooms and main living area)

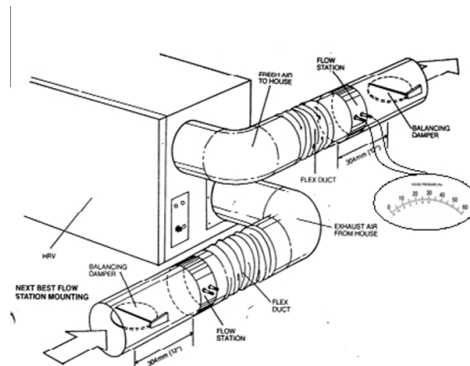
According to the Air Diffusion Council, flex that is run over 14' must be a duct and not a connector

STEP SEVEN—Balancing Procedures

Balancing Procedures (Balancing on high speed is preferred)

All HRVs must be balanced:

- To maintain unit efficiency
- To avoid freeze ups
- To avoid negative/positive house pressures
- Fresh air to equal exhaust air out (within 10%)



Using Door Taps:

- Find air flow on label of unit
- Match air flows of exhaust/supply streams by adjusting balancing dampers mounted on unit

STEP EIGHT—Maintenance Schedule

Every 3 Months	Every Year
<ul style="list-style-type: none"> • Inspect the intake hood and clean if needed • Clean the filters • Clean the interior of the cabinet and clean the door • Clean the condensation tray and inspect tubing 	<ul style="list-style-type: none"> • Clean the recovery core • Clean the blades of the blower wheels if needed