

HEAT RECOVERY VENTILATOR

Model 6LC

560 to 690 CFM (0.4 in. w.g.)



VB0062

FOR LIGHT COMMERCIAL APPLICATIONS

High CFM ventilation for small business owners concerned about indoor air quality (excess moisture, smoke, odors and cleanliness).

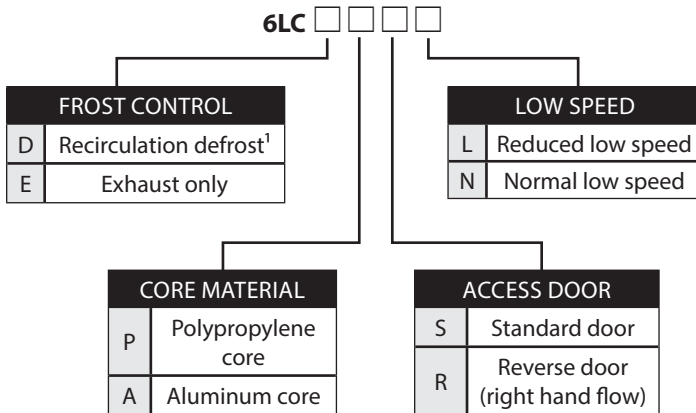
Suitable for installation above a suspended ceiling, mechanical room or suspended from a ceiling, this model delivers year-round comfort and sensible heat recovery with virtually no cross leakage. On this unit, the heat exchange efficiency can reach up to 66%.

- Best efficiency in its category
- The most compact unit on the market
- Only 24.5" high for false ceiling installation
- Defrost system
- Two-speed control
- Low voltage remote switch

REPAIRS AND MAINTENANCE

All parts of the 6LC such as the large access door and the entire motor sub-assembly can be removed for ease of maintenance. Furthermore, the electronic circuit board reduces electro-mechanical parts, minimizing repair time.

ORDERING EXAMPLE



¹ When ordered, the recirculation defrost damper module is factory installed.

Controls

- Built-in electronic circuit board ready to receive one of the following main controls:
 - Venta (Venmar) no. 40310
 - Basic (vånEE) no. 40210

Heat recovery cores

Dimensions: 12" x 12" x 13.125"

Exchange surface: 200 ft²

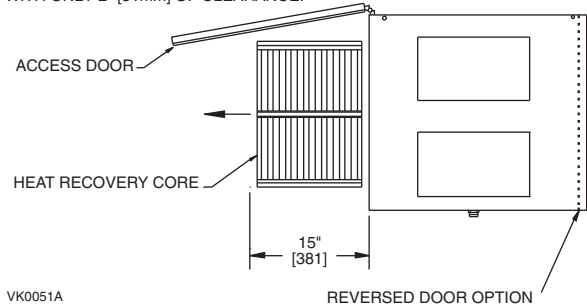
Weight: 9.5 lb.

Type: Plate to plate core

Material: Polypropylene (2) or aluminum (2)

Warranty: 15 years

A MINIMUM OF 15" [381] CLEARANCE FROM ANY OBSTRUCTION IS REQUIRED FOR REMOVAL OF HEAT RECOVERY CORES, FANS, ETC. ACCESS DOOR CAN BE REMOVED FROM CABINET WITH ONLY 2" [51mm] OF CLEARANCE.



VK0051A

REVERSED DOOR OPTION

Options

- Aluminum heat recovery cores
- Reversed access door
- Medium efficiency air supply filters
- Recirculation defrost module
- Reduced low speed

Requirements and standards

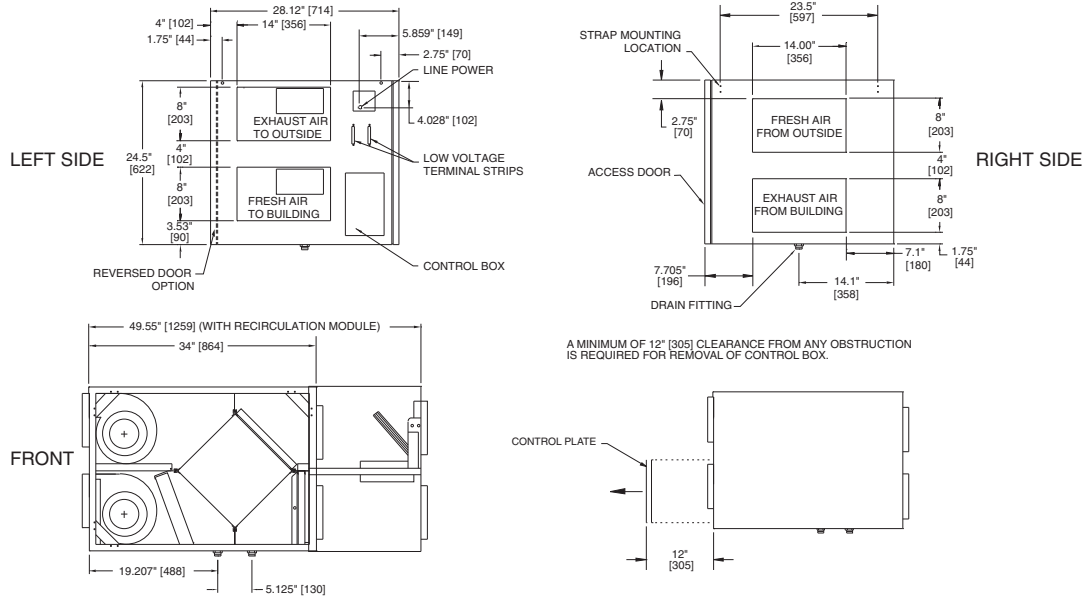
- Complies with the CSA C22.2, no. 113 Standard applicable to ventilators
- Complies with UL Standard 1812 - ducted Heat Recovery Ventilators

Warranty

The 6LC unit is fully protected by a 2-year warranty on parts, the best in the industry, and the heat recovery cores are covered by a 15-year warranty.

Available at:

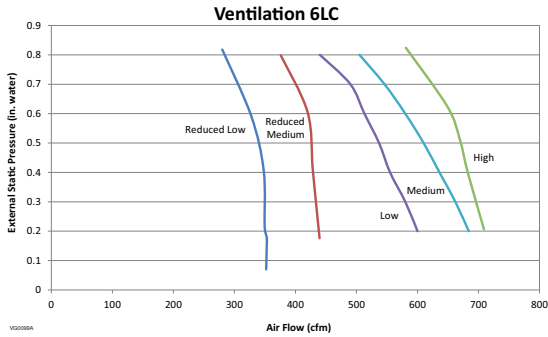
DIMENSIONS AND SERVICE CLEARANCES: 6LC



VK0050A NOTE: FOR UNITS WITH THE REVERSED DOOR OPTION, INTERIOR COMPONENTS WILL APPEAR AS A MIRROR IMAGE OF THE ABOVE DIAGRAM.

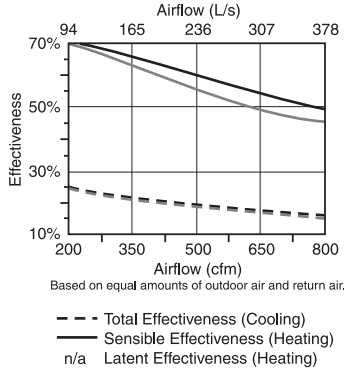
NOTE: Dimensions in brackets are in millimeters.

PERFORMANCES



NOTE:
Units are factory set on low speed as minimum setting.
The reduced low speed is optional and is factory set.
Use of MEF filters will add an additional system pressure of: 0.14 in. w.g. @ 600 cfm with clean filters.

EFFECTIVENESS



Based on equal amounts of outdoor air and return air.
--- Total Effectiveness (Cooling)
— Sensible Effectiveness (Heating)
n/a Latent Effectiveness (Heating)

VG0047A

NOTE: All specifications are subject to change without notice.

Model Number: PHE500-13.1H-12S-0.11

Model Number: AHE500-13.1H-12S-0.14T

Type: Plate (Plate) Nominal Airflow: 300 (300) scfm
Pressure Drop: 0.51 (0.21) inches

Leakage Ratings

Pressure Differential	EATR	OACF	Purge Angle or Setting
Test 1: -5.00 (-3.00) inches	0% (0%)	1.00 (1.00)	N/A (N/A)
Test 2: 0.00 (0.00) inches	0% (0%)	1.00 (1.00)	N/A (N/A)
Test 3: 5.00 (3.00) inches	0% (0%)	1.00 (1.00)	N/A (N/A)

Thermal Effectiveness Ratings at 0" Pressure Differential

	Sensible	Latent	Total
100% Airflow Heating Condition:	55% (52%)	0% (0%)	36% (34%)
75% Airflow Heating Condition:	61% (58%)	0% (0%)	40% (38%)
100% Airflow Cooling Condition:	47% (46%)	0% (0%)	18% (18%)
75% Airflow Cooling Condition:	53% (51%)	0% (0%)	20% (20%)
	Net Sensible	Net Latent	Net Total
100% Airflow Heating Condition:	55% (52%)	0% (0%)	36% (34%)
75% Airflow Heating Condition:	61% (58%)	0% (0%)	40% (38%)
100% Airflow Cooling Condition:	47% (46%)	0% (0%)	18% (18%)
75% Airflow Cooling Condition:	53% (51%)	0% (0%)	20% (20%)



Energy recovery component certified in accordance with ARI Standard 1060-2000. Actual performance in packaged equipment may vary.

SPECIFICATIONS

- Model: 6LC
- Total assembled weight:
 - With polypropylene cores: 148 lb.
 - With aluminum cores: 170 lb.
- All duct connections: 8" x 14"
- Drains: 3/4" fittings
- Housing: 20 ga. pre-painted steel
- Filters: 4 reticulated washable foam filters (20 ppi) and 2 optional disposable 30% medium efficiency filters
- Mounting: Reinforced rubber straps
- Insulation: 3/4" foil faced and 1" acoustic fiberglass wool
- Supply & Exhaust Blower motors:
 - Motor type: PSC motors with sealed: sleeved bearings, 3 speeds (2 available to customer) - R.P.M.: 1625 - H.P.: 1/4
 - Fan type: Direct drive centrifugal blower 7 1/8" x 6"
 - Housing: Galvanised steel
- Fan Speed control:
 - Low, medium & high speed
 - 2 speeds available to user
 - Low (or optional reduced low) or medium (or optional reduced medium) speed is selected at the time of installation
- Unit electrical characteristics:

Volts	Amps	Watts
125	5.7	640

Project:	REMARKS
Location:	
Model no.: 6LC	
Quantity:	
Submitted by:	Date: