

ERV 60H

Part no. 41606 (TOP PORTS)

Part no. 41604 (SIDE PORTS)

45 to 105 CFM (0.4 in. w.g.)



VB0073

AN INGENIOUS AIR EXCHANGE SOLUTION THAT'S AS VERSATILE AS IT IS COMPACT!

Configured with factory built vertical or horizontal ports, the vanEE ERV 60H is the most versatile 100-cfm unit available on the market today. Among its exclusive features, this unit is equipped with integrated balancing and backdraft dampers in its exhaust to outside and fresh air supply ports.

Its operation can be interlocked with an existing furnace without adding an extra relay. Also, for more convenience, its latches can be relocated on its front (as shown on unit picture). This compact, lightweight, and powerful unit is the ideal choice for small single-family homes, high rise residential building and other limited space applications.

- Versatile horizontal or vertical port configuration
- Removable terminal block to ease auxiliary wall control connections
- Integrated pressure taps, if balancing required by building code
- Twin high-pressure blowers
- ENERGY STAR® qualified

REPAIRS AND MAINTENANCE

All parts of the vanEE ERV 60H that could need maintenance can be removed in less than 5 minutes, allowing direct access for easy repairs. The PSC motors are permanently lubricated. Finally, the removable electrical drawer with pull-out PCB assembly allows easy access for maintenance of major sub-components.

WARRANTY

The vanEE ERV 60H is protected by a 2-year warranty on parts only. The energy recovery core is covered by a 5-year warranty, with the original proof of purchase.

Available at:



ENERGY RECOVERY VENTILATOR

Controls

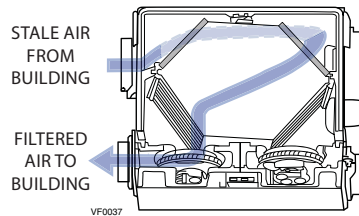
- This unit is very simple to operate. Once it is installed, press on its push button, located on the bottom of the unit, to activate it. Press once for low speed, once again for high speed, and once more to stop it.
- For more convenience, this unit can also be controlled by an optional main control. For a complete list of optional main and auxiliary controls available, refer to the **Wall Control Compatibility Chart** on last pages of wall controls specification sheet, available at www.vanee.ca.
- For more details about controls, refer to the **Main and auxiliary wall controls** user guide, also available at www.vanee.ca.

Options

- Complete line of registers and diffusers
- Electric duct heater
- Dual exterior hood kit (including the Tandem® transition), part no. 14690

Homeshield™ Defrosting System

The vanEE ERV 60H uses a unique defrosting method. No negative pressure is created by air exhausted to the outside, as the air is recirculated into the house, helping to prevent any backdraft.



| OUTSIDE TEMPERATURE | | DEFROST CYCLE (IN MINUTES) |
|---------------------|----------------|----------------------------|
| °C | °F | DEFROST/ OPERATION |
| WARMER THAN -5 | WARMER THAN 23 | NO DEFROST |
| -5 TO -27 | 23 TO -17 | 9/28 |
| -27 AND LESS | -17 AND LESS | 10/22 |

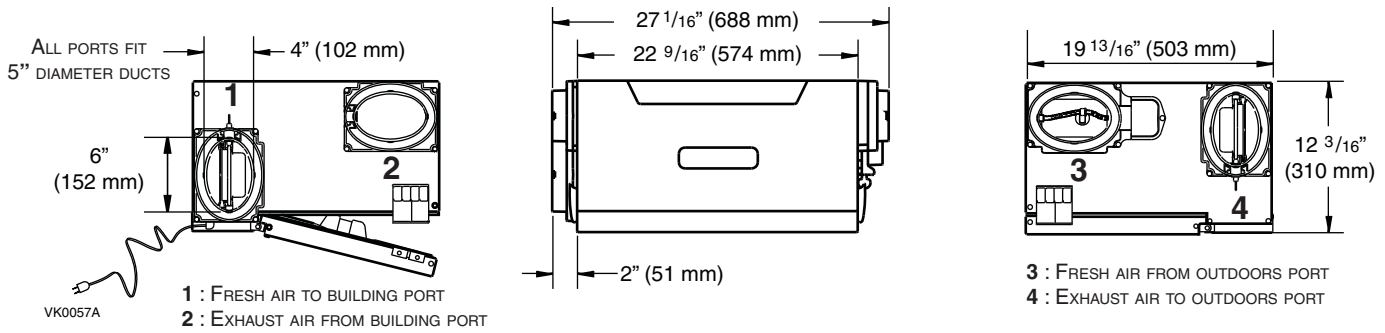
Energy Recovery Core

Dimensions: 19¹/₈" x 13⁷/₁₆" x 6⁷/₈" (48,6 cm x 34,1 cm x 17,3 cm)
 Exchange surface: 56 ft.² (5.2 m²)
 Weight: 9.25 lb. (4,2 kg)
 Material: Polymerized paper
 Type: Crossflow and counterflow core
 Warranty: 5 years

Requirements and Standards

- Complies with the UL 1812 requirements regulating the installation of Energy Recovery Ventilators
- Complies with the CSA C22.2 no. 113 Standard applicable to ventilators
- Complies with CSA C444 requirements regulating the installation of Energy Recovery Ventilators
- Technical data was obtained from published results of tests relating to CSA C439 Standards
- HVI certified and ENERGY STAR® qualified

DIMENSIONS: VÄNEE ERV 60H (PORTS ON SIDES)



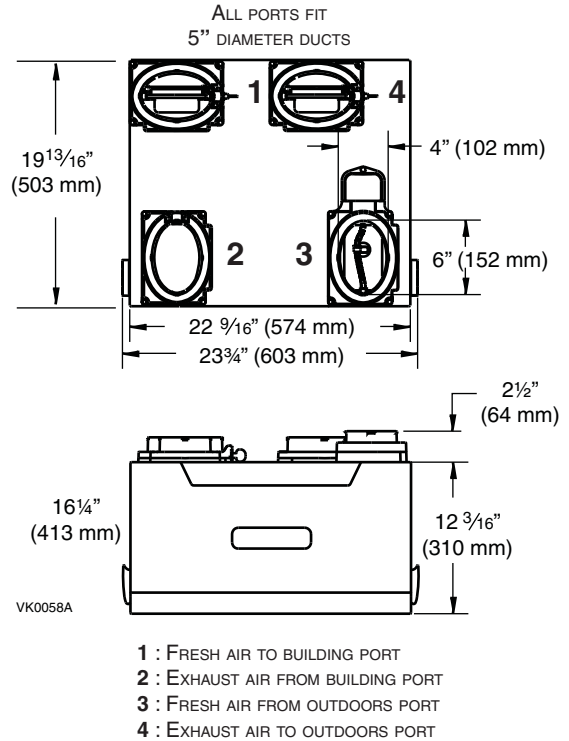
VENTILATION PERFORMANCE

| EXTERNAL STATIC PRESSURE | | NET SUPPLY AIR FLOW | | | GROSS AIR FLOW | | | | | |
|--------------------------|----------|---------------------|-----|-------------------|----------------|-----|-------------------|---------|-----|-------------------|
| PA | IN. W.G. | L/S | CFM | M ³ /H | SUPPLY | | | EXHAUST | | |
| | | L/S | CFM | M ³ /H | L/S | CFM | M ³ /H | L/S | CFM | M ³ /H |
| 25 | 0.1 | 54 | 115 | 195 | 55 | 117 | 199 | 55 | 117 | 199 |
| 50 | 0.2 | 53 | 112 | 190 | 54 | 115 | 195 | 54 | 114 | 193 |
| 75 | 0.3 | 51 | 109 | 185 | 53 | 111 | 189 | 52 | 110 | 187 |
| 100 | 0.4 | 49 | 105 | 178 | 50 | 106 | 180 | 50 | 106 | 180 |
| 125 | 0.5 | 48 | 102 | 173 | 49 | 104 | 177 | 49 | 103 | 175 |
| 150 | 0.6 | 45 | 96 | 163 | 47 | 99 | 168 | 47 | 99 | 168 |
| 175 | 0.7 | 44 | 93 | 158 | 45 | 94 | 160 | 45 | 94 | 160 |
| 200 | 0.8 | 42 | 89 | 151 | 43 | 92 | 156 | 42 | 88 | 150 |
| 225 | 0.9 | 40 | 85 | 144 | 41 | 87 | 148 | 41 | 87 | 148 |
| 250 | 1.0 | 38 | 81 | 138 | 39 | 82 | 139 | 38 | 81 | 138 |

ENERGY PERFORMANCE

| SUPPLY TEMPERATURE | | NET AIR FLOW | | | POWER CONSUMED WATTS | SENSIBLE RECOVERY EFFICIENCY | APPARENT SENSIBLE EFFECTIVENESS | LATENT RECOVERY/ MOISTURE TRANSFER |
|--------------------|-----|--------------|-----|-------------------|----------------------|------------------------------|---------------------------------|------------------------------------|
| °C | °F | L/S | CFM | M ³ /H | | | | |
| HEATING | | | | | | | | |
| 0 | 32 | 23 | 49 | 83 | 42 | 67 | 79 | 0.61 |
| 0 | 32 | 30 | 64 | 109 | 60 | 65 | 75 | 0.55 |
| 0 | 32 | 40 | 84 | 143 | 72 | 63 | 71 | 0.48 |
| -25 | -13 | 23 | 49 | 83 | 58 | 60 | 75 | 0.60 |
| -25 | -13 | 30 | 64 | 109 | 71 | 55 | 71 | 0.57 |
| COOLING | | | | | | | | |
| 35 | 95 | 21 | 44 | 75 | 42 | TOTAL RECOVERY EFFICIENCY 50 | | |

VÄNEE ERV 60H (PORTS ON TOP)



NOTE: All specifications are subject to change without notice.

SPECIFICATIONS

- Model: ERV 60H
- Part number top ports: 41606
- Part number side ports: 41604
- Total assembled weight (including polymerized paper core): 45 lb. (20.4 kg)
- Oval shaped ports; fit 5" diameter ducts
- Core filters: 30 ppi washable foam 8.75" x 6.75" x 0.5" (22,2 cm x 17,2 cm x 1,3 cm)
- Housing: Pre-painted steel
- Insulation: Expanded polystyrene
- Mounting: Suspension by chains and springs
- Supply and exhaust blower motor: 2 motors
 - Protection type: Thermally protected
 - Insulation class: B
- Speed control on unit: Low & high speeds. Other modes available with main and optional wall controls.
- Energy recovery core:
 - Heat exchange surface area: 56 ft.² (5.2 m²)
 - Type: Crossflow and counterflow
 - Material: Polymerized paper
- Unit electrical characteristics: 120 volts, 60 Hz, 1 ampere, 120 watts

| Project: | REMARKS |
|---------------|---------|
| Location: | |
| Part Number: | |
| Qty.: | |
| Submitted by: | Date: |

