

**vanEE 40H**

**Part no. 44250**

35 to 70 CFM (0.4 in. w.g.)



**THE 40H: PUNY PRICE TAG, LOTS TO LOVE!**

The 40H is the ideal choice for condominiums, apartments and other limited space applications that require up to 70 cfm of continuous ventilation. With its compact size and 4-inch vertical ports, it can be installed in small spaces such as a closet or mechanical room above a hot water tank.

- At just 30 lb. (13.6 kg), it can be installed without opening the unit
- Features integrated hooks to simplify installation
- Removable terminal block to ease auxiliary wall control connections
- Dehumidistat control included

**REPAIRS AND MAINTENANCE**

All parts of the 40H that could need maintenance can be removed in less than five minutes, allowing direct access for easy repairs. The PSC motor is permanently lubricated.

**WARRANTY**

The 40H is protected by a 5-year warranty on parts only. The heat recovery core is covered by a limited lifetime warranty, with the original proof of purchase.

Available at:

# HEAT RECOVERY VENTILATOR

## Controls

- This unit is very simple to operate. Once it is installed, press on its push button, located on the unit top left side, to control it.
- In addition to the included Dehumidistat control, the following auxiliary wall controls can be added:
 

- 20-min. Lighted push button	no. 1806110
- 60-min. Mechanical timer	no. 00910

For more details about controls, refer to their specification sheet on [www.vanee.ca](http://www.vanee.ca).

## Options

- Complete line of registers and diffusers
- Electric duct heater
- Exclusive wall mounting bracket no. 19255

## Defrosting System

The 40H defrosts on a fixed cycle of 25 minutes air exchange and 5 minutes defrost, independent of the outside temperature.

## Heat Recovery Core

Dimensions: 10" x 10" x 5.5"  
(25.4 cm x 25.4 cm x 14 cm)

Exchange surface: 42.3 ft.<sup>2</sup> (3.9 m<sup>2</sup>)

Weight: 4 lb. (1.8 kg)

Material: Polypropylene

Type: Cross flow

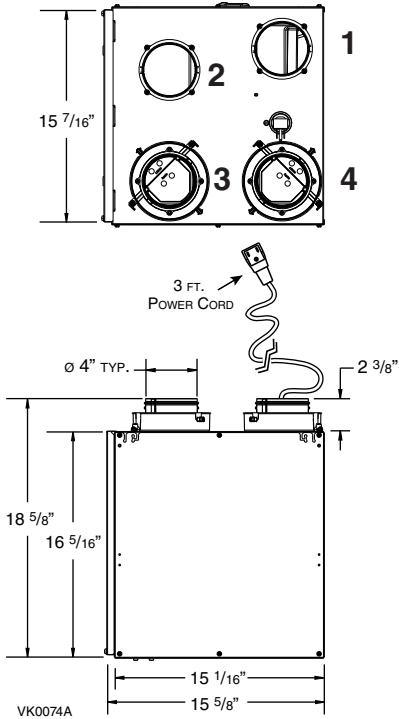
Warranty: Limited lifetime

## Requirements and standards

- Complies with the UL 1812 requirements regulating the installation of Heat Recovery Ventilators
- Complies with the CSA C22.2 no. 113 Standard applicable to ventilators
- Complies with CSA C444 requirements regulating the installation of Heat Recovery Ventilators
- Technical data was obtained from published results of tests relating to CSA C439 Standards
- HVI certified

## DIMENSIONS: 40H

- 1: FRESH AIR TO BUILDING PORT
- 2: EXHAUST AIR FROM BUILDING PORT
- 3: FRESH AIR FROM OUTSIDE PORT
- 4: EXHAUST AIR TO OUTSIDE PORT



NOTE: All units ports were created to be connected to ducts having a minimum of 4" diameter, but if need be, they can be connected to bigger sized ducts by using an appropriate transition (e.g.: 4" diameter to 5" diameter transition).

## VENTILATION PERFORMANCE

EXTERNAL STATIC PRESSURE		NET SUPPLY AIR FLOW			GROSS AIR FLOW					
PA	IN. W.G.	L/S	CFM	M <sup>3</sup> /H	SUPPLY			EXHAUST		
		L/S	CFM	M <sup>3</sup> /H	L/S	CFM	M <sup>3</sup> /H	L/S	CFM	M <sup>3</sup> /H
25	0.1	39	83	141	39	84	143	40	85	144
50	0.2	37	79	134	38	81	138	39	82	139
75	0.3	35	75	127	36	76	129	37	78	133
100	0.4	33	71	121	34	72	122	35	74	126
125	0.5	31	67	114	32	68	116	33	70	119
150	0.6	30	63	107	30	64	109	31	65	110
175	0.7	28	58	99	28	59	100	28	60	102
200	0.8	25	53	90	25	54	92	26	55	93

## ENERGY PERFORMANCE

SUPPLY TEMPERATURE		NET AIR FLOW		POWER CONSUMED	SENSIBLE RECOVERY EFFICIENCY	APPARENT SENSIBLE EFFECTIVENESS	LATENT RECOVERY/MOISTURE TRANSFER
°C	°F	L/s	CFM	WATTS			
HEATING							
0	32	17	36	40	55	70	0.03
0	32	30	64	54	48	59	0.03
-25	-13	18	38	41	55	73	0.06

NOTE: All specifications are subject to change without notice.

## SPECIFICATIONS

- Model: 40H
- Part Number: 44250
- Total Assembled Weight (including polypropylene core): 30 lb. (13.6 kg)
- Round 4" ports
- Drain: 1/2" (1.2 cm) fitting with 10 ft. (3 m) PVC drain hose
- Core filters: 2 washable foam filters, 9.2" x 5.75" x 0.38" (23.4 cm x 16.6 cm x 1 cm)
- Housing: Pre-painted steel
- Insulation: Expanded polystyrene
- Mounting: Suspension by chains and spring or optional wall bracket
- Supply and Exhaust Blower Motor: 1 motor
  - Protection type: Thermally protected
  - Insulation class: B
- Speed Control on Unit:
  - Low speed and Standby
  - Other modes available with optional wall controls
- Heat Recovery core:
  - Heat Exchange Surface Area: 42.3 ft.<sup>2</sup> (3.9 m<sup>2</sup>)
  - Type/Material: Crossflow/Polypropylene
- Unit Electrical Characteristics:
 

Volts	Frequency	Ampere	Watts
120	60 Hz	0.5	60

Project:	REMARKS
Location:	
Part no.:	
Qty.:	
Submitted by: _____ Date: _____	



Residential Products Group, 550 Lemire Blvd., Drummondville, Qc, Canada J2C 7W9 - Tel.: 1-800-567-3855 Fax: 1-800-567-1715



www.vanee.ca

40Hd140425