

# INSTALLATION AND USER GUIDE FOR 20-MINUTE LIGHTED PUSH-BUTTON TIMER

## READ AND SAVE THESE INSTRUCTIONS

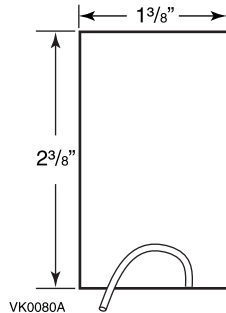
The illustrations in this document are generic; your push button appearance may be slightly different from the ones shown.

### ⚠ WARNING

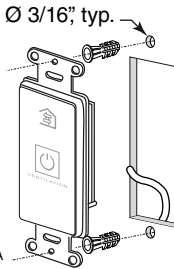
**Always disconnect the unit before making any connections. Failure in disconnecting power could result in electric shock or damage of the wall control or electronic module inside the unit.**

- 1 Unplug the ventilation unit.

- 2 Cut a 2<sup>3</sup>/<sub>8</sub>" x 1<sup>3</sup>/<sub>8</sub>" hole in a wall, at a convenient location for the push button. Route a cable (type 22/4) for the push-button from the unit to this hole. See figure at right.

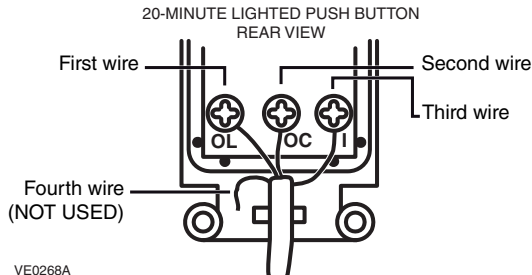


- 3 Temporarily place the push button over the hole and mark both mounting screw hole positions.

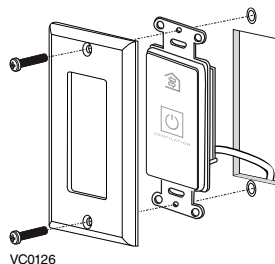


- 4 Remove the push button, drill both screw holes (3/16" Ø) in wall and insert the wall anchors (included).

- 5 Strip the end of the cable to access the wires.  
NOTE: Although this is a 4-wire cable, only 3 of them will be used for connection.  
Strip the end of 3 wires. Connect wires to the terminals, regardless of the wire color: one wire to "OL", another one to "OC" and a last one to "I". **Note which wire color has been chosen for each terminal.** See illustration below.

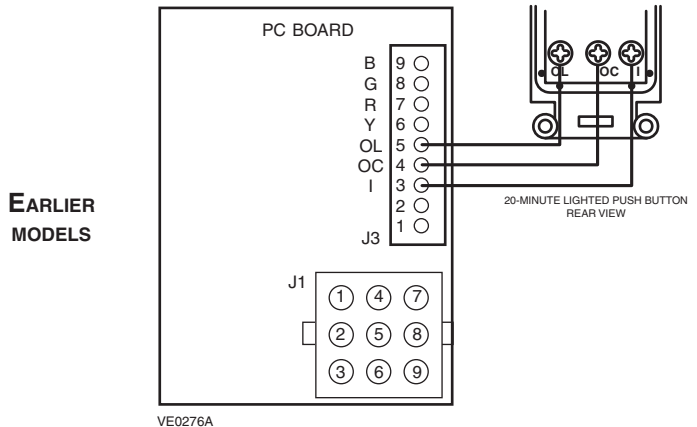
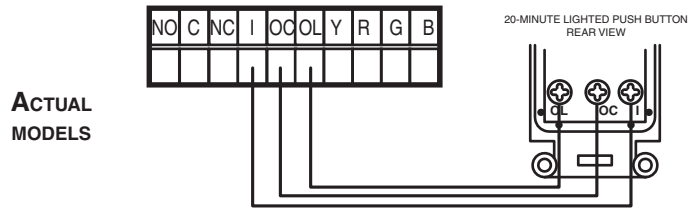


- 6 Mount the push button to the wall.



- 7 Perform the electrical connection to the terminal connector of the unit, as shown below. For more details, refer to the installation manual of the ventilation unit.

NOTE: To avoid miswiring, refer to the notes about the color of the wires taken on step 5.



- 8 Plug the ventilation unit and test the push button by pressing on its center (A). The ventilation unit will exchange air with the outside on high speed for a 20-minute period, and the indicator (B) will light up. To stop activation before the end of the 20-minute cycle, press once more.

