



Broan Elite RM50000 Series

The RM50000 Series combines European design with tremendous value to meet the requirements of today's conventional appliance and kitchen styles.

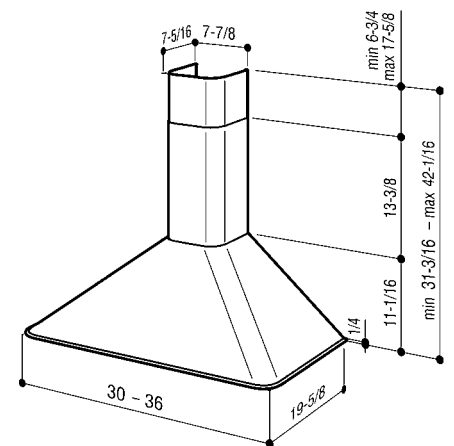
- Multi-speed slide control and integrated dual light assembly.
- Dual 40-watt incandescent bulbs included.
- Dishwasher-safe aluminum filter features a quick-release latch and professional style appearance.
- Includes non-ducted kit for indoor exhaust recirculation.
- Heat Sentry™ detects excessive heat and adjusts blower speed to high automatically.
- Ducted/non-ducted telescopic flue fits 8' to 9' ceilings.
- Optional flue extension for 10' ceiling also available.

SPECIFICATIONS

WIDTH	STAINLESS STEEL	VOLTS	AMPS	CFM Max/Min	SONES Max/Min	DUCT
30"	RM503004	120	2.86	270	6.5	6" round
35 7/16"	RM503604	120	2.86	270	6.5	6" round

OPTIONS

RFX5004	Flue Extension 10' ceiling
FILTEREB40	Replacement Charcoal Filter
B08087292	Replacement Aluminum Filter



Dimensions shown are in inches.

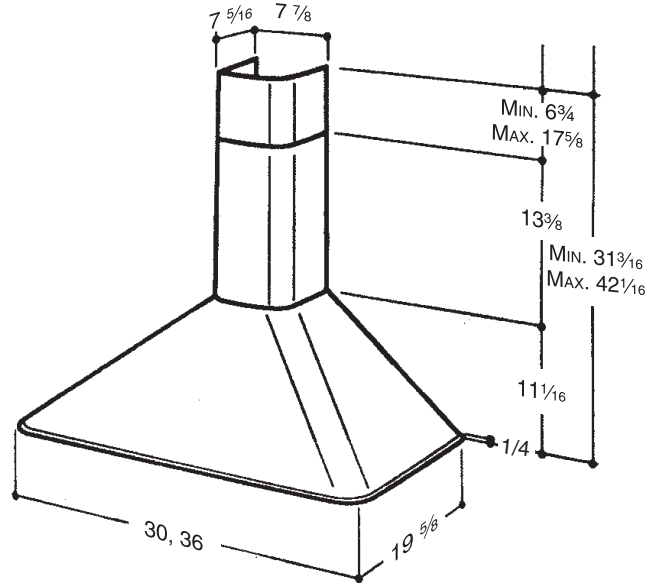


874298 09/09

SPECIFICATIONS

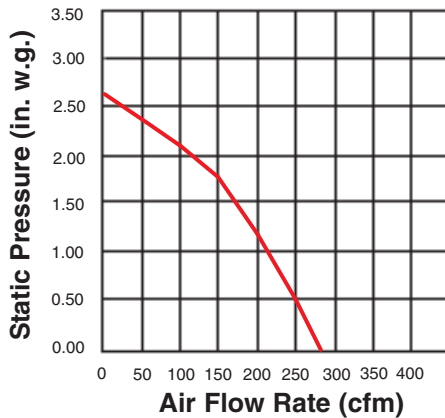
MODEL	RM50000 SERIES
VOLTS	120 VAC
Hz	60
AMPS	2.86
CFM	270
SONES	6.5
DUCTING SIZE	6" ROUND
2 INCANDESCENT BULBS	40 W
WARRANTY	1 YEAR

DIMENSIONS



NOTE: DIMENSIONS SHOWN ARE IN INCHES.

AIR FLOW PERFORMANCE



HVI-2100 CERTIFIED RATINGS comply with new testing technologies and procedures prescribed by the Home Ventilating Institute, for off-the-shelf products, as they are available to consumers. Product performance is rated at 0.1 in. (2.54 mm) static pressure, based on tests conducted in a state-of-the-art test laboratory. Sones are a measure of humanly-perceived loudness, based on laboratory measurements.



BROAN-NU-TONE CANADA INC., MISSISSAUGA, ONTARIO WWW.BROAN.CA 1-888-882-7626

PROJECT	REMARKS
LOCATION	
MODEL No.	
QTY.	
SUBMITTED BY	
DATE	