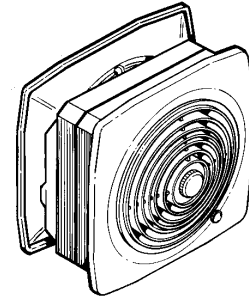




SPECIFICATION SHEET

MODELS 510 & 511 UTILITY ROOM-TO-ROOM VENTILATION FANS



Easily installs in interior walls to move heated or cooled air from one room to another. Spreads heat from fireplaces, cool air from air conditioners to adjoining rooms.

FEATURES

GRILLE:

- Two contemporary styled grilles complement modern decor
- White polymeric grilles can be painted to match any decor

MOTOR:

- Permanently lubricated, thermally protected, plug-in motor
- Motor assembly offers fast, easy "twist-lock" installation
- Built-in solid state speed control for fan speed and soundlevel selection
- Model 510 - 10" (254 mm) diameter fan blade, Model 511 - 8" (203.2 mm) diameter fan blade

HOUSING:

- Requires 11-5/8" (295.3 mm) square hole through both interior walls
- Housing can be fastened to walls in several ways – allows flexibility to meet almost any mounting situation
- Adjustable housing fits walls from 3" (76.2 mm) to 5 1/2" (139.7 mm) thick
- Housing 25 gauge finished with rugged electrically-bonded epoxy paint

TYPICAL SPECIFICATION

Ventilator shall be Broan Model 510 or 511.

Ventilator shall be installed in an interior wall 3" (76.2 mm) to 5 1/2" (139.7 mm) thick — NOT through a fire-rated wall.

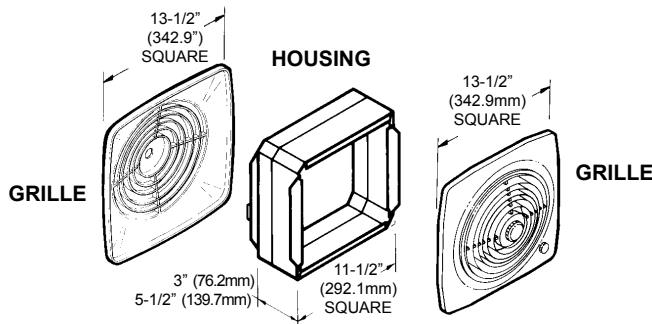
Ventilator shall be steel housing finished with electrically bonded epoxy paint. Grille to be white polymeric.

Motor assembly shall be removable and permanently lubricated. RPM shall not exceed 1550 (Model 510) or 1575 (Model 511).

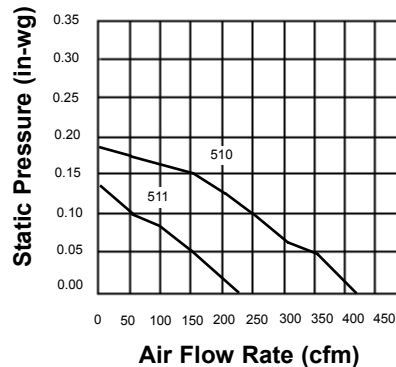
Air delivery shall be no less than 380 CFM (179.3 L/s) and sound level no greater than 6.5 Sones (Model 510), 180 CFM (85.0 L/s) and 3.5 Sones (Model 511). All air and sound ratings shall be certified by HVI. Units shall be CSA certified.

SPECIFICATIONS

MODEL	VOLTS	AMPS	RPM	SONES	CFM (L/s)
510	120	1.7	1550	6.5	380 (179.3)
511	120	1.5	1575	3.5	180 (85.0)



HVI-2100 CERTIFIED RATINGS comply with the new testing technologies and procedures prescribed by the Home Ventilating Institute, for off-the-shelf products, as they are available to consumers. Product performance is rated at 0.1 in. static pressure, based on tests conducted in AMCA's state-of-the-art laboratory. Sones are a measure of humanly produced loudness, based on laboratory measurements.



Broan-NuTone LLC, Hartford, Wisconsin, U.S.A. 53027
Broan-NuTone Canada Inc., Mississauga, Ontario, Canada L5T 1H9

REFERENCE	QTY.	REMARKS	Project
			Location
			Architect
			Engineer
			Contractor
			Submitted by
			Date