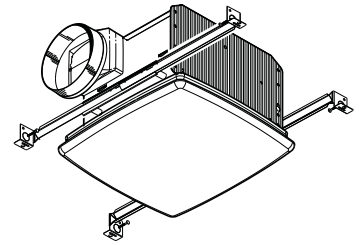


MODELS QTXE050C, QTXE090C, QTXE110C & QTXE150C QTXE SERIES ULTRA SILENT™ VENTILATION FAN



Ultra-quiet, high performance bath fan with a modern-styled grille.

FEATURES

BLOWER :

- Plug-in, permanently lubricated motor — engineered for continuous operation
- Dynamically balanced centrifugal blower wheel for quiet, efficient performance
- Maintains a high percentage of rated CFM in less than ideal installations
- Low RPM for quiet operation
- Resilient anti-vibration motor mounts

HOUSING:

- Rugged, 26 gauge, galvanized steel construction
- 6" round ducting for superior performance
- New 6" duct connector ass'y with damper foam to avoid clatter
- 7 5/8" height allows for 2" x 8" (nominal) joist installations
- Sturdy, easy, four-point mounting directly to joist
- Includes unique spacers (patented) for mounting to engineered "I" joists
- Can be mounted in ceilings up to 12/12 pitch
- Hanger bars assembly included

GRILLE :

- Polymeric construction
- Innovative design—the result of extensive research with designers and consumers

3-Year Warranty

TYPICAL SPECIFICATION

Ceiling Ventilator shall be Broan Model QTXE050C (QTXE090C) (QTXE110C) (QTXE150C).

Ceiling Ventilator shall have corrosion resistant galvanized steel housing with four-point mounting capability. It shall be ducted to a roof or wall cap using 6" round ductwork.

Blower assembly shall be removable, have a centrifugal-type blower wheel and a permanently lubricated motor designed for continuous operation and mounted with resilient anti-vibration mounts.

Non-metallic damper/duct connector shall be included.

Air delivery shall be no less than 50 CFM (23.6 L/s), 90 CFM (42.5 L/s), 110 CFM (51.9 L/s), 150 CFM (70.8 L/s) and sound level no greater than <0.3 (0.6) (0.7) (1.4) sones. All air and sound ratings shall be certified by HVI.

Ceiling ventilator shall be ENERGY STAR® qualified and have an energy efficient permanent split capacitor motor.

Ceiling Ventilator shall be UL and cUL Listed for use over bathtubs and showers when connected to a GFCI protected branch circuit.



HVI-2100 CERTIFIED RATINGS comply with new testing technologies and procedures prescribed by the Home Ventilating Institute, for off-the-shelf products, as they are available to consumers. Product performance is rated at 0.1 in. (2.54 mm) static pressure, based on tests conducted in a state-of-the-art test laboratory. Sones are a measure of humanly-perceived loudness, based on laboratory measurements.



Broan-NuTone Canada; Mississauga, Ontario www.broan.ca 877-896-1119

REFERENCE	QTY.	REMARKS	Project
			Location
			Architect
			Engineer
			Contractor
			Submitted by Date

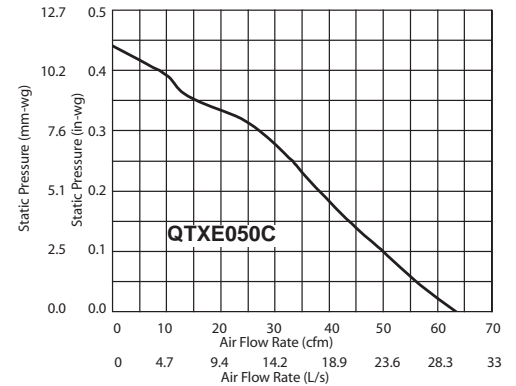
*PRODUCT SPECIFICATIONS SUBJECT TO CHANGE WITHOUT NOTICE.

PERFORMANCE RATINGS

QTXE SERIES – ULTRA SILENT™ VENTILATION FANS

HVI PERFORMANCE

Model	Sones @ 0.1" (2.5 mm) SP	CFM (L/s) @ 0.1" (2.5 mm) SP	CFM (L/s) @ 0.25" (6.4 mm) SP
QTXE050C	<0.3	50 (23.6 L/s)	33 (15.6 L/s)
QTXE090C	0.6	90 (42.5 L/s)	73 (34.5 L/s)
QTXE110C	0.7	110 (51.9 L/s)	90 (42.5 L/s)
QTXE150C	1.4	150 (70.8 L/s)	133 (62.8 L/s)

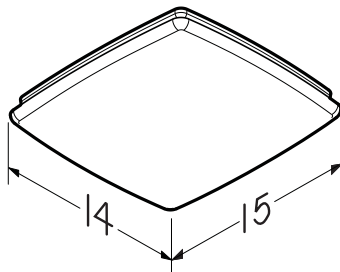
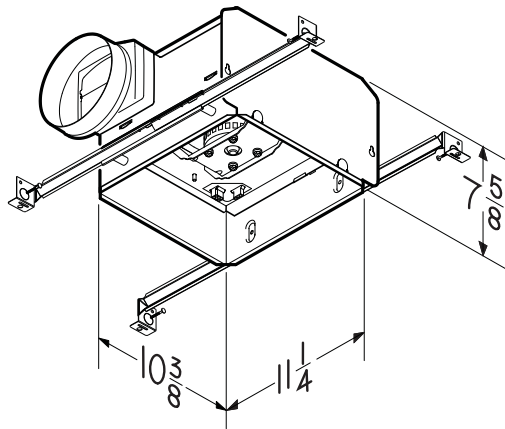
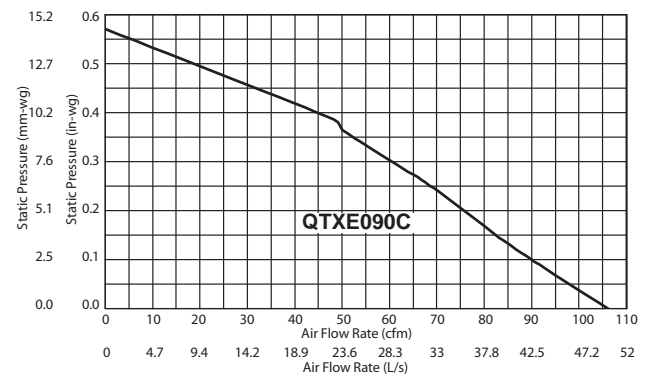


AMPS & WATTS

Model	Amps	Watts
QTXE050C	0.3	27
QTXE090C	0.3	27
QTXE110C	0.4	36
QTXE150C	0.5	53

WEIGHT

Model	Shipping Weight
QTXE050C	13.2 lb (6 kg)
QTXE090C	13.2 lb (6 kg)
QTXE110C	12.8 lb (5.8 kg)
QTXE150C	13.2 lb (6 kg)



NOTE: Dimensions shown are in inches

