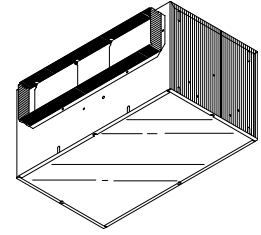


MODELS L400L, L400KL, L500L, L500KL & L700L LOSONE SELECT® IN-LINE VENTILATORS



Incredibly reliable. Unbelievably quiet. Offering the CFM choices you need at the lowest sound levels in the industry.

FEATURES

BLOWER:

- Low RPM for quiet operation
- Resilient anti-vibration mounts
- Balanced, polymeric, centrifugal blower wheel for quiet, efficient performance (Models L400KL & L500KL - dynamically-balance metal wheel)
- Permanently lubricated, thermally protected motor
- Plug-in motor rated at 120 VAC
- Designed for continuous operation

HOUSING:

- Rugged galvanized steel
- 4½" x 18½" (114.3 mm x 469.9 mm) duct connector
- May be installed in ceiling or wall (size permitting)
- 8-position mounting brackets for easy installation and greater adaptability to various mounting requirements
- Automatic back draft damper located within duct connector
- Factory-shipped in horizontal discharge position
- Removable panel allows easy motor access without disturbing ductwork
- Models L400KL & L500KL suitable for kitchen installations

CONTROLS:

- Model 59V (Ivory) / 59W (White) 60-Minute Time Control
- Model 61V (Ivory) / 61W (White) 15-Minute Time Control
- Model 72V (Ivory) / 72W (White) 6-Amp, Electronic Variable Speed Control

TYPICAL SPECIFICATION

Ventilator shall be Broan Model L400L, (L400KL), (L500L), (L500KL) or (L700L).

Ventilator shall have galvanized steel housing. Housing to have adjustable mounting brackets and removable panel to allow motor access without disturbing ductwork.

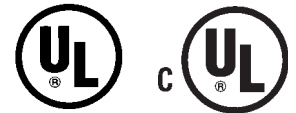
Automatic back draft damper to be located within duct connector. Duct connector, blower assembly and wiring plate shall be adjustable for either horizontal or vertical installation.

Blower unit shall be removable from housing and will have a polymeric (metal - L400KL & L500KL), balanced, centrifugal-type blower wheel. Motor to be permanently lubricated and mounted with resilient anti-vibration mounts. RPM not to exceed number listed for each model.

Air delivery shall be no less and sound levels no greater than listed for each model. All air and sound ratings shall be certified by AMCA. Units to be UL and cUL listed.



"Broan-NuTone LLC certifies that the models shown herein are licensed to bear the AMCA Seal. The ratings shown are based on tests and procedures performed in accordance with AMCA Publication 211 (and AMCA Publication 311 if sound is also certified) and comply with the requirements of the AMCA Certified Ratings Program"



Broan-NuTone LLC, 926 West State Street, Hartford, WI 53027 (1-800-637-1453)
Broan-NuTone Canada Inc., 1140 Tristar Drive, Mississauga, Ontario, Canada L5T 1H9 (1-888-882-7626)

REFERENCE	QTY.	REMARKS	Project
			Location
			Architect
			Engineer
			Contractor
			Submitted by Date

PERFORMANCE RATINGS - MODELS L400L, L400KL, L500L, L500KL & L700L LOSONE SELECT® IN-LINE VENTILATORS

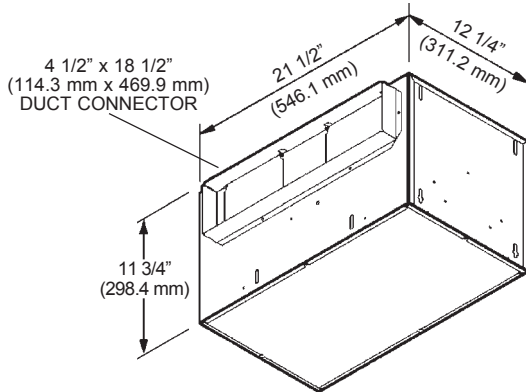
AMCA LICENSED PERFORMANCE

		CFM (L/s) SONES AT STATIC PRESSURE [Ps in. (mm) of water]														
MODEL NUMBER	NOMINAL VOLTAGE		0.0 (0.0)	0.1 (2.5)	0.125 (3.2)	0.250 (6.4)	0.375 (9.5)	0.50 (12.7)	0.625 (15.9)	0.750 (19.0)	0.875 (22.2)	1.0 (25.4)	NOMINAL RPM	AMPS @ 60 Hz	WATTS	
L400L	120 VAC	CFM (L/s) St. Thr.	450 (212.4)	415 (195.9)	406 (191.6)	360 (169.9)	313 (147.7)	271 (127.9)	223 (105.2)	167 (78.8)	90 (42.5)	6 (2.8)	775	1.4	146	
		SONES St. Thr.	1.4	1.6	1.6	1.9	2.2	2.6	2.9	3.4	3.6	3.9				
		CFM (L/s) Right Angle	442 (208.6)	415 (195.9)	408 (192.6)	372 (175.6)	336 (158.6)	296 (139.7)	239 (112.8)	193 (91.1)	111 (52.4)	28 (13.2)		875	1.4	146
		SONES Right Angle	1.6	1.7	1.7	2.0	2.4	2.6	3.1	3.4	3.9	4.1				
L400KL	120 VAC	CFM (L/s) St. Thr.	420 (198.2)	385 (181.7)	375 (177.0)	330 (155.7)	284 (134.0)	243 (114.7)	202 (95.3)	153 (72.2)	78 (36.8)	12 (5.7)	715	1.4	146	
		SONES St. Thr.	3.0	2.7	3.1	3.6	4.0	4.0	4.6	5.0	5.2	5.4				
		CFM (L/s) Right Angle	420 (198.2)	391 (184.5)	385 (181.7)	352 (166.1)	316 (149.1)	276 (130.3)	226 (106.7)	181 (85.4)	105 (49.6)	46 (21.7)		805	1.4	146
		SONES Right Angle	2.1	2.4	2.5	1.9	2.2	2.8	3.0	3.3	3.7	4.2				
L500L	120 VAC	CFM (L/s) St. Thr.	546 (257.7)	526 (248.2)	519 (244.9)	496 (234.1)	472 (222.8)	447 (211.0)	407 (192.1)	364 (171.8)	306 (144.4)	232 (109.5)	890	2.2	232	
		SONES St. Thr.	2.4	2.4	3.4	3.7	3.9	3.8	3.9	4.0	4.3	4.3				
		CFM (L/s) Right Angle	528 (249.2)	516 (243.5)	513 (242.1)	494 (233.1)	470 (221.8)	446 (210.5)	415 (195.9)	389 (183.6)	334 (157.6)	247 (116.6)		990	2.2	232
		SONES Right Angle	2.9	3.8	3.4	3.7	3.5	3.6	3.9	4.0	4.2	4.4				
L500KL	120 VAC	CFM (L/s) St. Thr.	495 (233.6)	476 (224.6)	472 (222.8)	450 (212.4)	426 (201.0)	395 (186.4)	360 (169.9)	326 (153.9)	294 (138.8)	247 (116.6)	805	2.2	232	
		SONES St. Thr.	3.2	3.7	3.8	4.2	3.9	4.2	4.7	5.0	5.4	5.5				
		CFM (L/s) Right Angle	494 (233.1)	482 (227.5)	477 (225.1)	462 (218.0)	442 (208.6)	417 (196.8)	387 (182.6)	359 (169.4)	317 (149.6)	263 (124.1)		905	2.2	232
		SONES Right Angle	3.5	4.1	4.4	4.3	4.7	5.1	5.1	5.2	5.3	6.0				
L700L	120 VAC	CFM (L/s) St. Thr.	704 (332.3)	686 (323.8)	681 (321.4)	656 (309.6)	631 (297.8)	604 (285.1)	575 (271.4)	533 (251.5)	480 (226.5)	412 (194.4)	1090	2.9	313	
		SONES St. Thr.	3.6	3.8	3.7	3.9	4.0	4.2	4.3	4.4	4.7	5.0				
		CFM (L/s) Right Angle	680 (320.9)	667 (314.8)	663 (312.9)	644 (303.9)	621 (293.1)	594 (280.3)	557 (262.9)	513 (242.1)	440 (207.7)	342 (161.4)		1205	2.9	313
		SONES Right Angle	5.0	5.0	5.0	5.3	5.2	5.1	5.3	5.5	5.4	5.5				

Performance ratings include the effects of back draft damper in the air stream. Speed (RPM) shown is nominal. Performance is based on actual speed of test. The sound ratings shown are loudness values in fan sones at 5' (1.5m) in a hemispherical free field calculated per AMCA Std. 301. Values shown are for Installation Type D: Ducted inlet, Ducted outlet. Ratings do not include the effect of duct end correction. Performance ratings include the effects of 18 feet (5.5 m) of round inlet duct and, if needed, a rectangular to round duct transition in the air stream. Performance shown is for installation Type D: Ducted inlet, Ducted outlet.

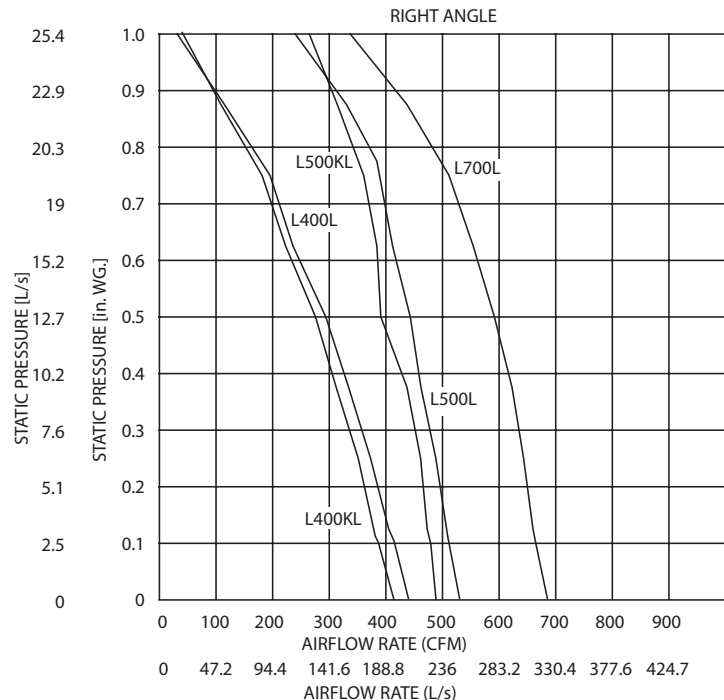


"Broan-NuTone LLC certifies that the models shown herein are licensed to bear the AMCA Seal. The ratings shown are based on tests and procedures performed in accordance with AMCA Publication 211 (and AMCA Publication 311 if sound is also certified) and comply with the requirements of the AMCA Certified Ratings Program."



WEIGHT

MODEL	SHIPPING WT.
L400L & L500L	33.9 lbs. (15.4 kg)
L400KL & L500KL	36.3 lbs. (16.5 kg)
L700L	34 lbs. (15.4 kg)



*PRODUCT SPECIFICATIONS SUBJECT TO CHANGE WITHOUT NOTICE