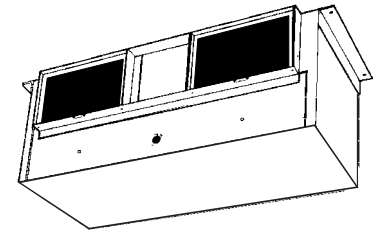


MODELS L2000L & L3500EXL LOSONE SELECT® IN-LINE VENTILATORS



Incredibly reliable. Unbelievably quiet. Offering the CFM choices you need.

FEATURES

BLOWER:

- Low RPM for quiet operation
- Resilient anti-vibration mounts
- Dynamically-balanced, metal, centrifugal blower wheels for quiet, efficient performance
- Permanently lubricated, thermally protected motor
- Plug-in motor rated at 120 VAC (Model L3500EXL - 240 VAC)
- Designed for continuous operation

HOUSING:

- Rugged galvanized steel
- May be installed in ceiling or wall (size permitting)
- Acoustic insulation inside
- 8-position mounting brackets for easy installation and greater adaptability to various mounting requirements
- Factory-shipped in horizontal discharge position - may be converted to vertical discharge

CONTROLS:

- Model 59V (Ivory) / 59W (White) 60-Minute Time Control
- Model 61V (Ivory) / 61W (White) 15-Minute Time Control
- Electronic Variable Speed Controls
- Model 72V (Ivory) / 72W (White) 6-Amp, 120 VAC
- Model 75V (Ivory) 6-Amp, 240 VAC

TYPICAL SPECIFICATION

Ventilator shall be Broan Model L2000L or (L3500EXL).

Ventilator shall have galvanized steel housing lined with acoustic insulation. Housing to have adjustable mounting brackets.

Automatic back draft dampers to be located within duct connector. Duct connector, blower assembly and wiring plate shall be adjustable for either horizontal or vertical installation.

Blower unit shall be removable from housing and will have a metal, centrifugal-type blower wheels. Motor to be permanently lubricated and mounted with resilient anti-vibration mounts. RPM not to exceed number listed for each model.

Air delivery shall be no less and sound levels no greater than listed for each model. All air and sound ratings shall be certified by AMCA. Units to be UL and cUL listed.



"Broan-NuTone LLC certifies that the models shown herein are licensed to bear the AMCA Seal. The ratings shown are based on tests and procedures performed in accordance with AMCA Publication 211 (and AMCA Publication 311 if sound is also certified) and comply with the requirements of the AMCA Certified Ratings Program"



Broan-NuTone LLC, 926 West State Street, Hartford, WI 53027 (1-800-637-1453)
Broan-NuTone Canada Inc., 1140 Tristar Drive, Mississauga, Ontario, Canada L5T 1H9 (1-888-882-7626)

REFERENCE	QTY.	REMARKS	Project
			Location
			Architect
			Engineer
			Contractor
			Submitted by Date

PERFORMANCE RATINGS - MODELS L2000L & L3500EXL LOSONE SELECT® IN-LINE VENTILATORS

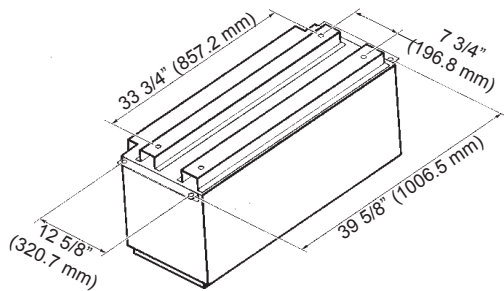
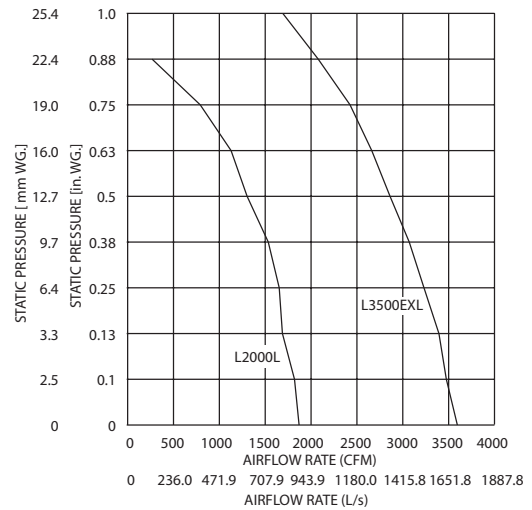
AMCA LICENSED PERFORMANCE

CFM (L/s) SONES AT STATIC PRESSURE [Ps in. (mm) of water]																
MODEL NUMBER	NOMINAL VOLTAGE		0.0 (0.0)	0.1 (2.5)	0.125 (3.2)	0.250 (6.4)	0.375 (9.5)	0.50 (12.7)	0.625 (15.9)	0.750 (19.0)	0.875 (22.2)	1.0 (25.4)	NOMINAL RPM	AMPS @ 60 Hz	WATTS	
L2000L	120 VAC	CFM (L/s) St. Thr.	1891 (892.5)	1803 (850.9)	1791 (845.3)	1657 (782.0)	1508 (711.7)	1347 (635.7)	1165 (549.8)	808 (381.3)	284 (134.0)		965	5.8	590	
		SONES St. Thr.	10.3	9.8	9.4	9.0	8.6	9.1	8.9	7.0	6.7					
		CFM (L/s) Right Angle	2070 (976.9)	1931 (911.3)	1898 (895.8)	1769 (834.9)	1609 (759.4)	1424 (672.1)	1314 (620.1)	1165 (549.8)	795 (375.2)	288 (135.9)		1020	5.8	635
		SONES Right Angle	11.1	10.3	10.1	9.7	9.4	9.2	8.5	7.0	6.7					
L3500EXL	240 VAC	CFM (L/s) St. Thr.	3605 (1701.4)	3498 (1650.9)	3452 (1629.2)	3278 (1547.0)	3073 (1450.3)	2893 (1365.3)	2679 (1264.3)	2429 (1146.4)	2093 (987.8)	1693 (799.0)		1105	5.4	1204
		SONES St. Thr.	15.3	14.8	14.5	14.1	13.1	12.8	12.1	11.8	11.9	10.8				
		CFM (L/s) Right Angle	3868 (1825.5)	3714 (1752.8)	3696 (1744.3)	3537 (1669.3)	3356 (1583.9)	3168 (1495.1)	2951 (1392.7)	2671 (1260.6)	2384 (1125.1)	2005 (946.3)		1110	5.4	1205
		SONES Right Angle	14.6	14.2	14.2	13.3	12.8	12.5	11.6	11.4	11.4	13.4				

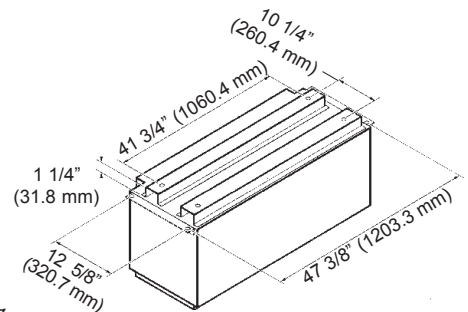
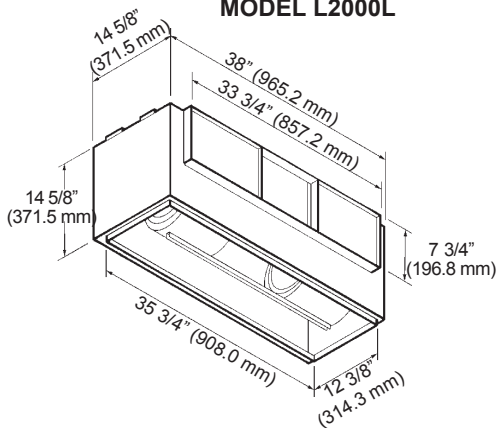
Performance ratings do not include the effects of appurtenances in the airstream. Speed (RPM) shown is nominal. Performance is based on actual speed of test. The sound ratings shown are loudness values in fan sones at 5' (1.5m) in a hemispherical free field calculated per AMCA Std. 301. Values shown are for Installation Type D: Ducted inlet, Ducted outlet. Ratings do not include the effect of duct end correction. Performance shown is for Installation Type D: Ducted inlet, Ducted outlet.



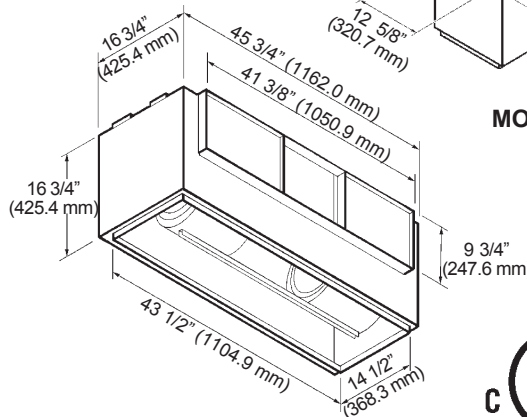
"Broan-NuTone LLC certifies that the models shown herein are licensed to bear the AMCA Seal. The ratings shown are based on tests and procedures performed in accordance with AMCA Publication 211 (and AMCA Publication 311 if sound is also certified) and comply with the requirements of the AMCA Certified Ratings Program."



MODEL L2000L



MODEL L3500EXL



WEIGHT

MODEL	SHIPPING WT.
L2000L	89 lbs. (40.4 kg)
L3500EXL	144 lbs. (65.3 kg)



*PRODUCT SPECIFICATIONS SUBJECT TO CHANGE WITHOUT NOTICE